



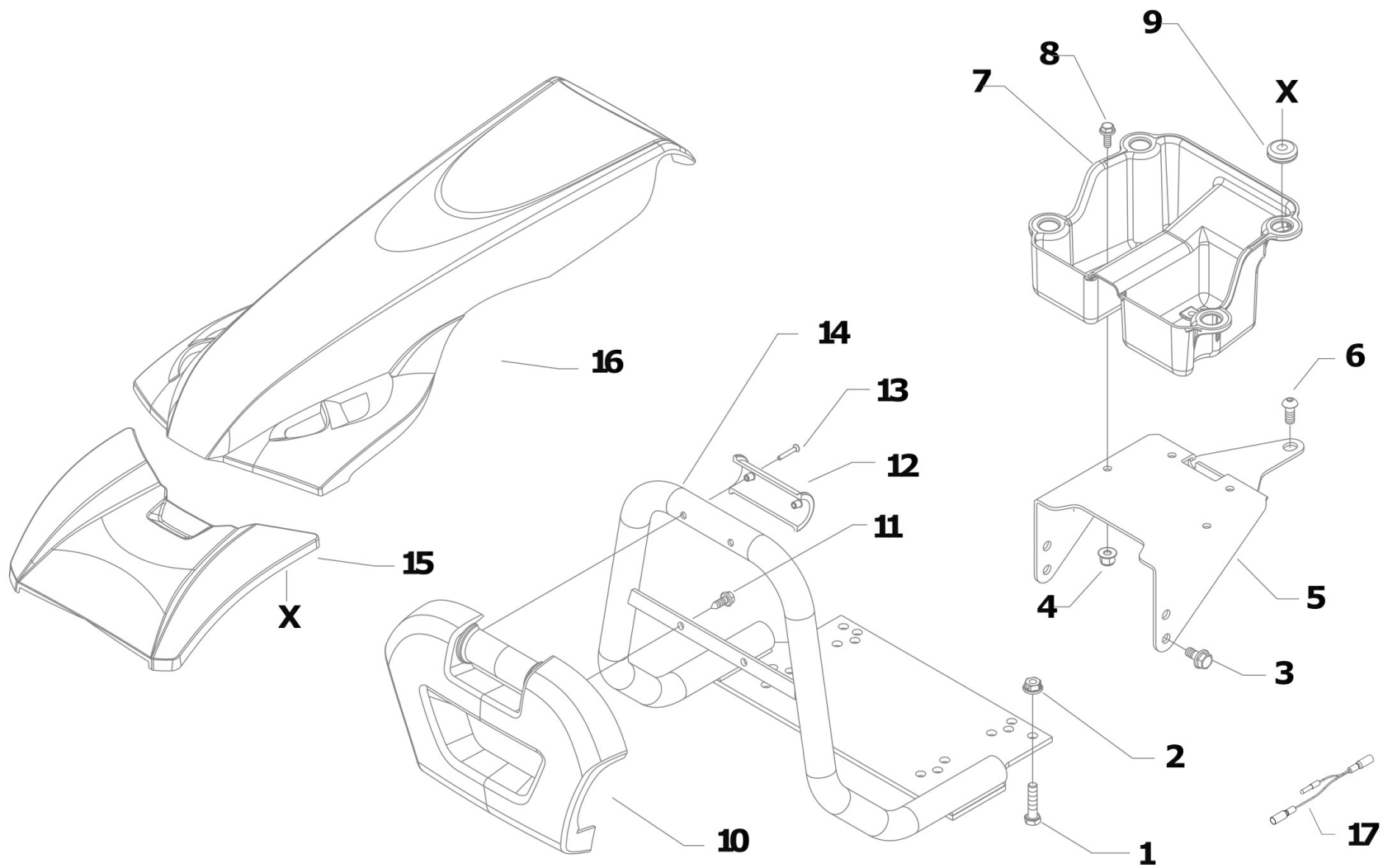
FERRARI Motor mowers, FERRARI 2-wheel tractors

370 HY PS

01/09/2021

A30011 - 370 HY PS.....	3
A.01.01.A0040_00 - ENGINE PROTECTIONS.....	5
B.01.01.A0039_00 - POWERSAFE CLUCH CONTROL.....	7
C.01.01.A0039_00 - CYLINDER AND POWERSAFE CLUTCH.....	9
D.01.01.A0039_00 - POWERSAFE FILTER AND UNIT.....	11
D.01.01.A0039_01 - POWERSAFE FILTER AND UNIT.....	13
E.01.01.A0039_00 - POWERSAFE CLUTCH HUB.....	15
F.01.01.A0039_00 - ENGINE FLANGES.....	17
G.01.01.A0039_00 - GEARBOX.....	19
H.01.01.A0039_00 - GEAR SHAFT CLUTCH.....	21
H.02.01.A0039_00 - REFERENCE GEAR / SHAFT CLUTCH.....	23
H.03.01.A0039_00 - REFERENCE GEAR.....	25
H.04.01.A0039_00 - PUMP ASSEMBLY.....	27
H.05.01.A0039_00 - PUMP CONTROL.....	29
I.01.01.A0039_00 - WHEEL AXLE.....	31
J.01.01.A0039_00 - STEERING COLUMN.....	33
K.01.01.A0039_00 - HANDLEBAR.....	35
L.01.01.A0039_00 - HANDLEBAR CONTROLS.....	37
M.01.01.A0039_00 - AUCTION OF CONTROL.....	40
N.01.01.A0039_00 - BRAKES.....	42
P.01.01.A0039_00 - WHEELS.....	44
R.01.01.A0040_00 - STICKERS.....	46



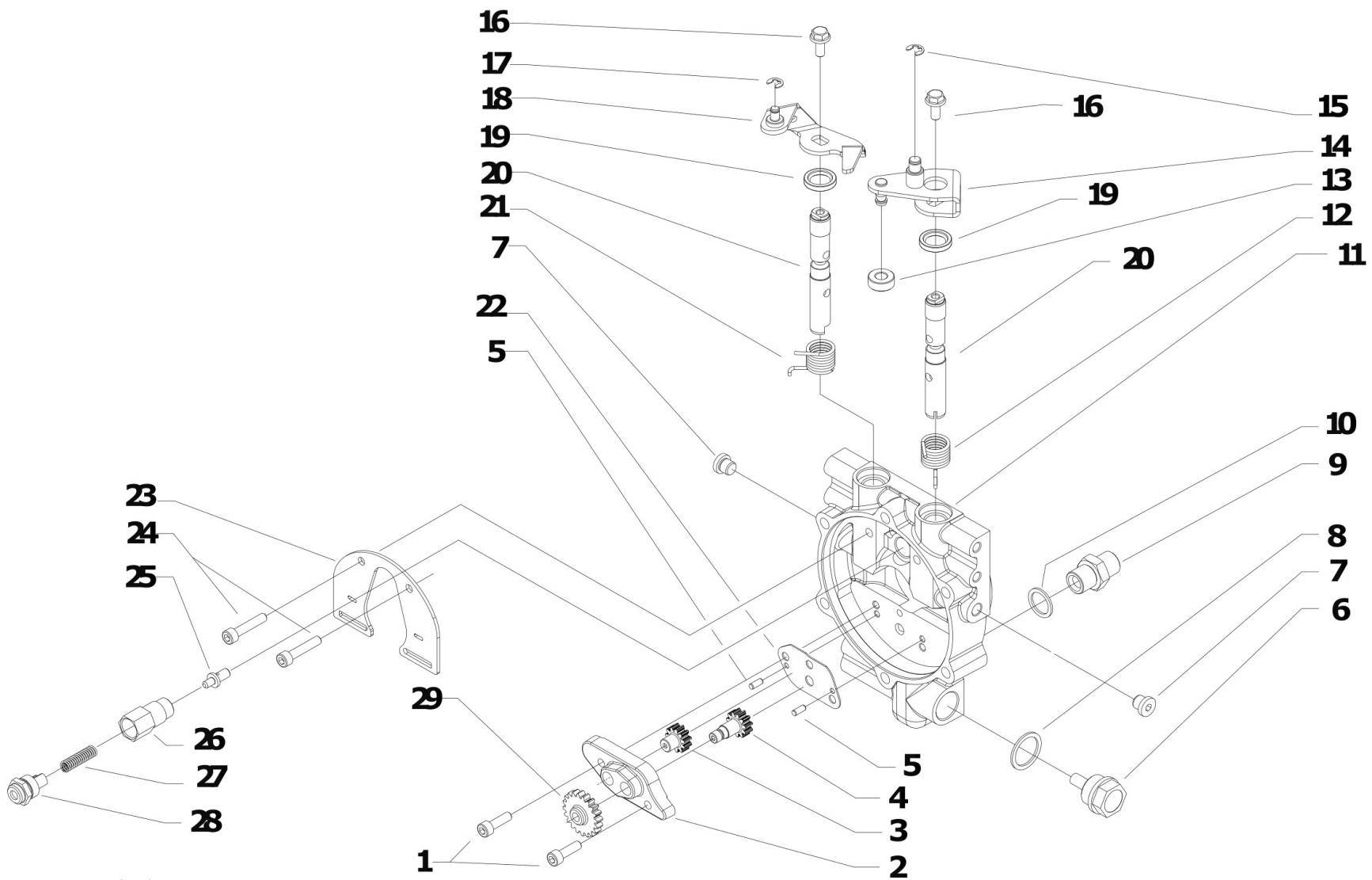


 [Click for info](#)

★ = new part

Pos.	Id	Q.ty	Description	Note
1	31112154		SCREW TE M8X40 UNI 5739 8G	
2	31241084		SELFLOCK NUT M8 6S	
3	31112171		SCREW TE C/F M8X16 DIN 6921	
4	31241066		SELFLOCK M6 FL NY DIN 6926	
5	561C1680N		TUNNEL MC HY	
6	31121008		SCREW TBCEI M10X16 ISO 7380	
7	552C1001		FAIRINGS BOX	
8	31112081		SCREW TE C/F M6X20 DIN 6921 8G	
9	58056991		CABLE GLAND 90/200/30	
10	55252503		FREGIO ANT.MC 2010 FERRARI	
11	31510100		RIBBED SCREW 6,3X19 UNI 6950	
12	55252504		HALF BEARING	
13	31100451		SCREW 3,5X25	
14	59053021H		BUMPER C.15LD-ACT-GX ALUM.	
14	59056127H		BUMPER FOR 740	
15	55252406		GUARD BATTERY BOX	
16	55252413		GUARD	
17	58057385		LINE	



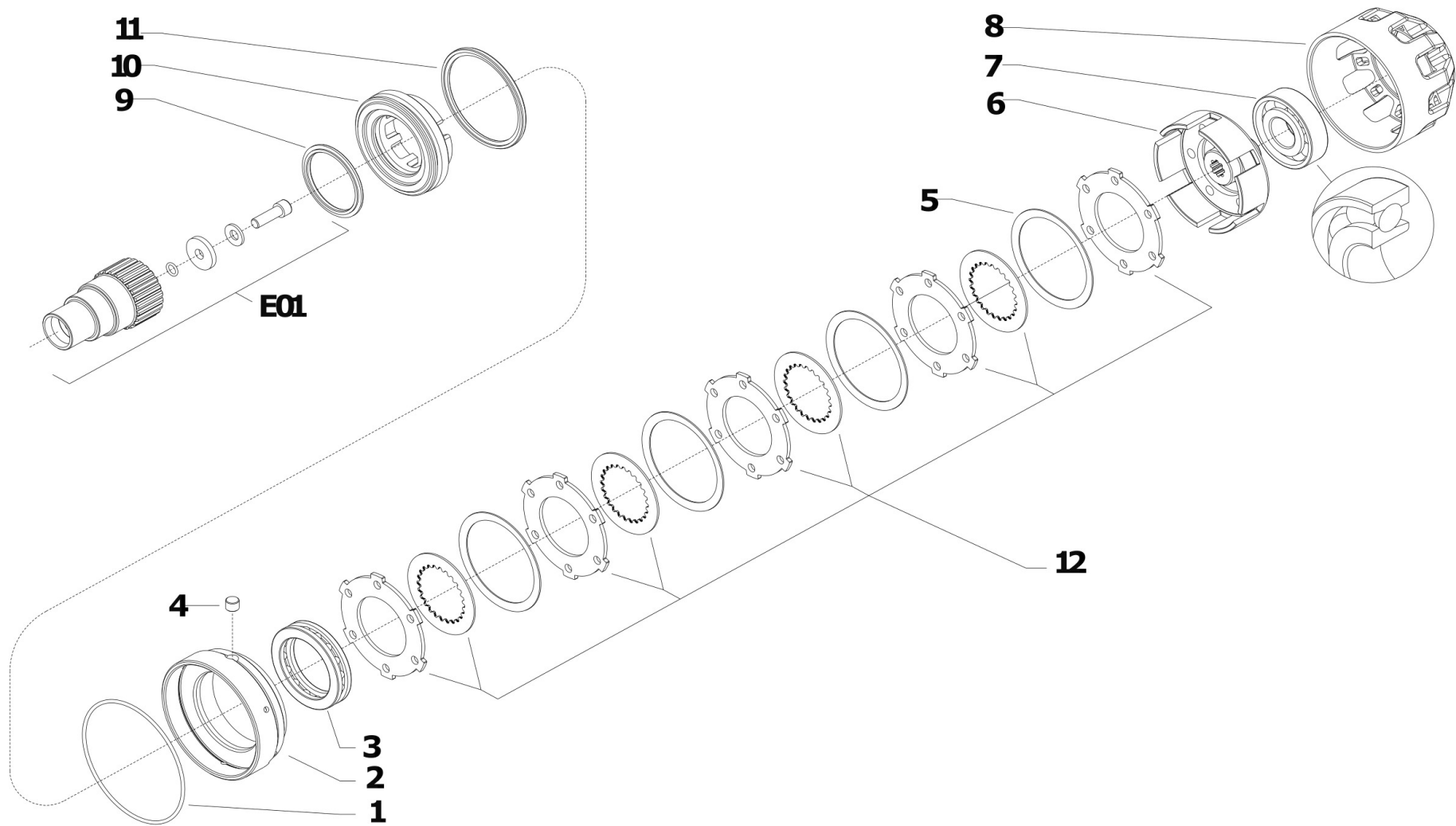


 [Click for info](#)

★ = new part

Pos.	Id	Q.ty	Description	Note
1	31152063		SCREW TCEI M6X20 UNI 5931	
2	56356364		PUMP COVER PS/14	
3	52456371		PUMP GEAR PS/14	
4	52456372		PUMP GEAR	
5	34221040		CYLINDRICAL PLUG	
6	58170021		PLUG	
7	580C0041		PLUG	
8	F0844273090		GASKET 22X28X1,5 CU 99,5	
9	30000197		NIPPLE	
10	31480184		COPPER WASHER 16,7x22/1,5	
11	59256745		POWERSAFE CLUTCH FLANGE	
12	58056222		SPRING	
13	55256228		ROLLER	
14	59056225Z		CLUTCH LEVER	
15	35211060		SEEGER RING E 6 UNI 7434	
16	31112084		SCREW TE C/F M6X14 DIN 6921 8G	
17	35211050		SEEGER RING E 5 UNI 7434	
18	59056748Z		COMPLETE STOP LEVER PS GALV.	
19	38211400		OIL SEAL 14X22X4	
20	52456220		DISTRIBUTOR	
21	58056221		SPRING	
22	56356747		PUMP RECEPTOR PS/14	
23	56156224		SHIELD	
24	31152060		SCREW TCEI M6X30 UNI 5931	
25	56456657		VALVE	
26	56156658		VALVE INSERT/INLET	
27	58056683		SPRING	
28	56356242		PLUG	
29	52456235		PUMP GEAR	



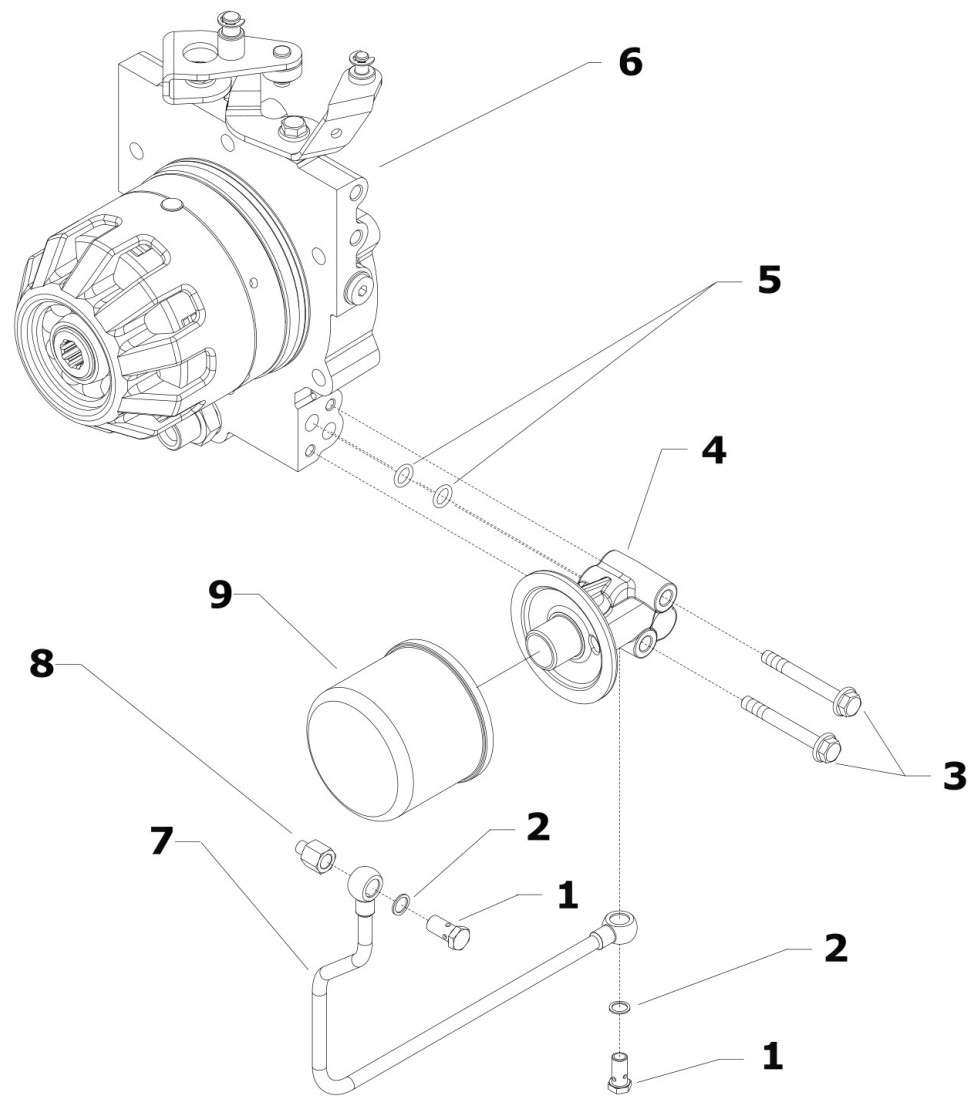


 [Click for info](#)

★ = new part

Pos.	Id	Q.ty	Description	Note
1	38118859		O-RING OR 3375 (94,92X2,62)	
2	56356216		RING	
3	37161500		BEARING 51110 (50X70X14)	
4	56156247		PIN	
5	56556213		SPRING	nr.4
6	52456694		CLUTCH HOUSING	
7	37141253		BEARING 7305-BJP OBL 25x62x17	
8	53156210		SUMP	
9	38120501		RING PTFE PRP 01A02-0500-A-32	
10	53156218		PISTON	
11	38140851		RING PTFE PRP02A02-0850-A-32-N	



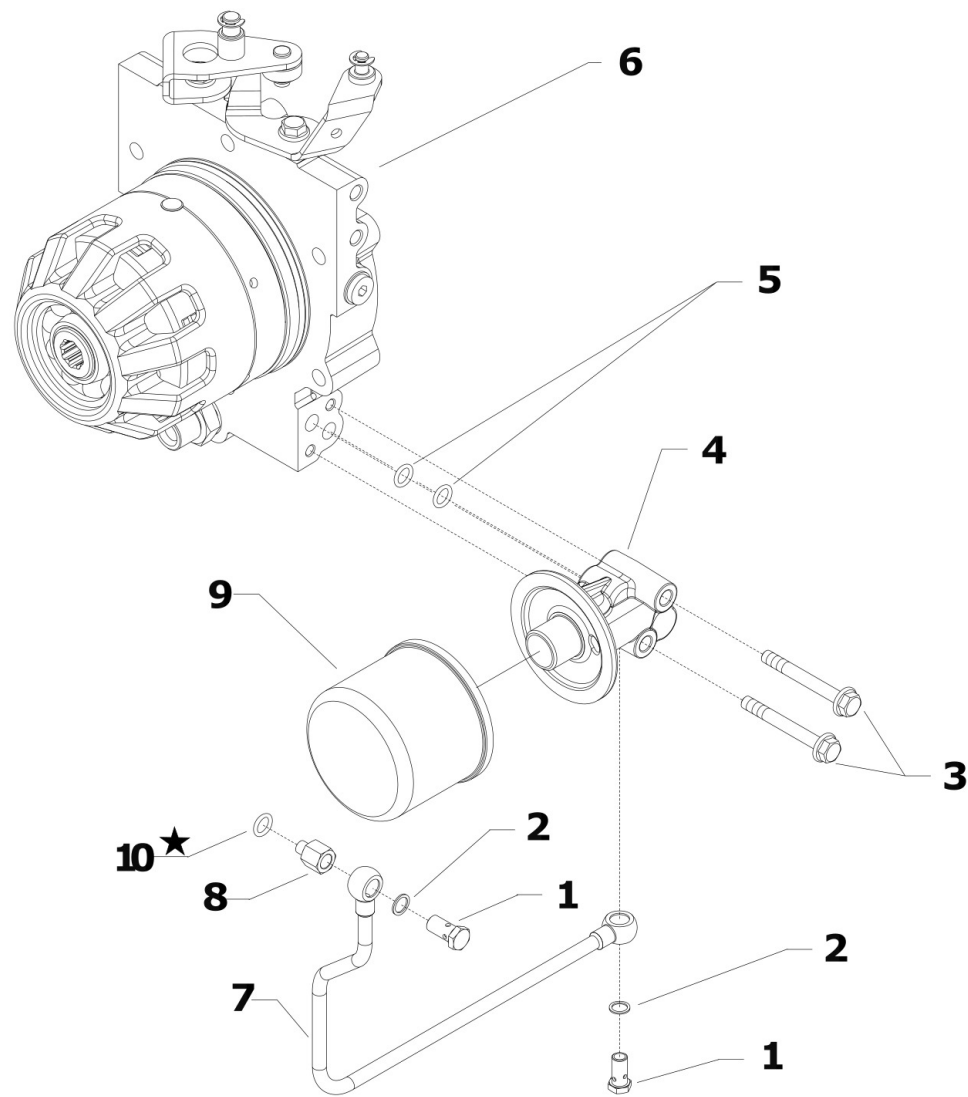


 [Click for info](#)

★ = new part

Pos.	Id	Q.ty	Description	Note
1	F0843109020		PIPE FITTING	
2	31480184		COPPER WASHER 16,7x22/1,5	
3	31112099		SCREW TE C/F M6X50 DIN 6921 8G	
4	53156659		CONNECTION	
5	38110873		O-RING 108 (8,73X1,78)	
6	59256037		CLUTCH FOR POWERSAFE Q25.4 (3/8)	GX390
6	59256038		POWERSAFE CLUTCH	L100
7	590C0219Z		SUCTION PIPE	
8	581C0225		REDUCTION	
9	580C0268		FILTER	



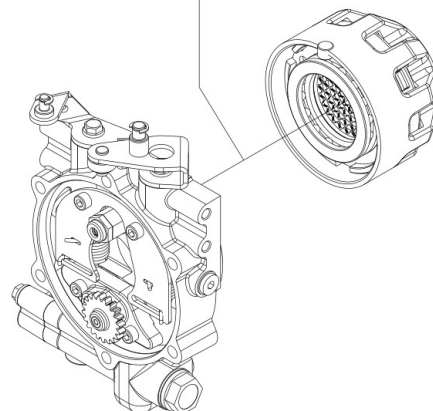
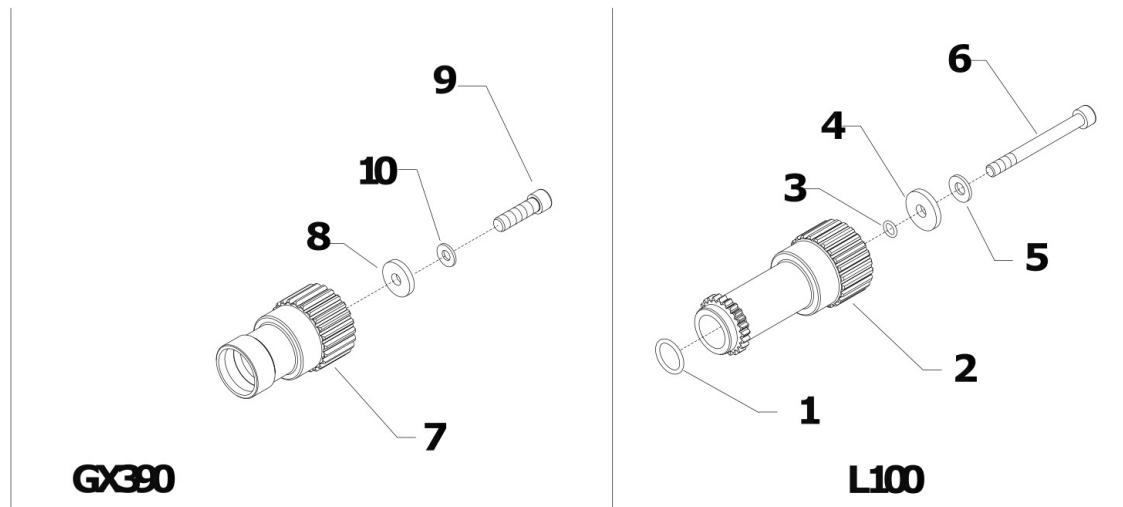


 [Click for info](#)

★ = new part

Pos.	Id	Q.ty	Description	Note
1	F0843109020		PIPE FITTING	
2	31480184		COPPER WASHER 16,7x22/1,5	
3	31112099		SCREW TE C/F M6X50 DIN 6921 8G	
4	53156659		CONNECTION	
5	38110873		O-RING 108 (8,73X1,78)	
6	59256037		CLUTCH FOR POWERSAFE Q25.4 (3/8)	GX390
6	59256038		POWERSAFE CLUTCH	L100
7	590C0219Z		SUCTION PIPE	
8	581C0225		REDUCTION	
9	580C0268		FILTER	
10	38111078		O-RING 3043 (10,78X2,62)	



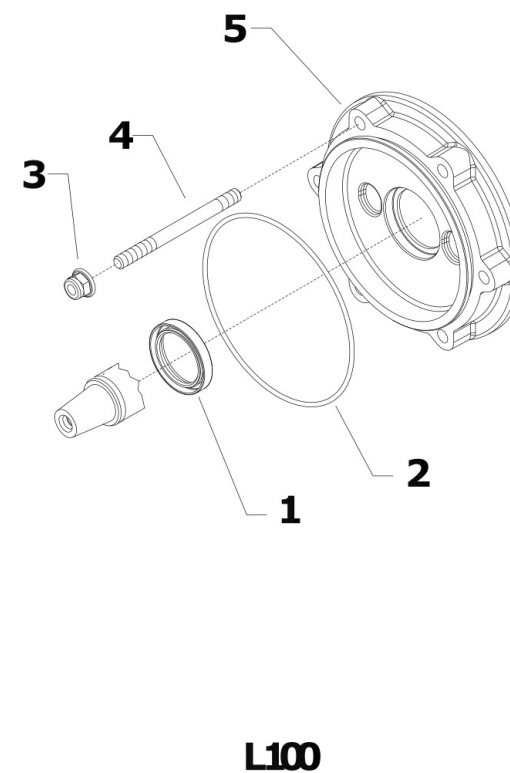
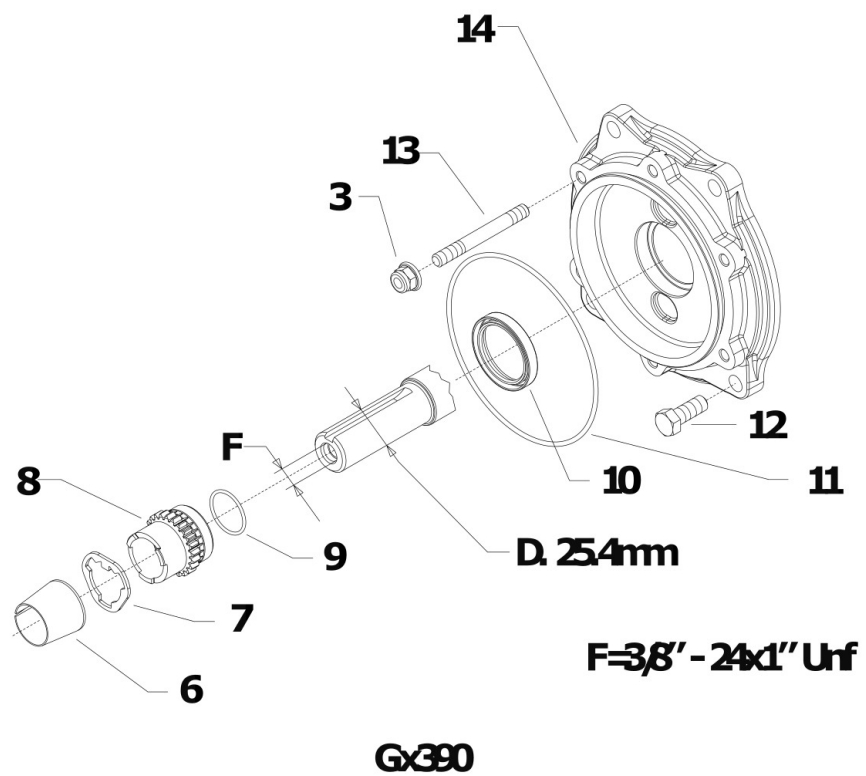


 [Click for info](#)

★ = new part

Pos.	Id	Q.ty	Description	Note
1	38111872		O-RING 3075 (18,72x2,62)	
2	52456245		HUB	
3	38110675		O-RING 106 (6,75X1,78)	
4	56156288Z		SPECIAL WASHER SP.4	
5	31421083		WASHER	
6	31152090		SCREW TCEI M8x80 UNI5931	
7	52456233		HUB Q25	
8	561C0421		WASHER	
9	31100033		SCREW TCCEI 3/8-24 X 1-1/2	
10	31421101		WASHER 10 DIN 679	



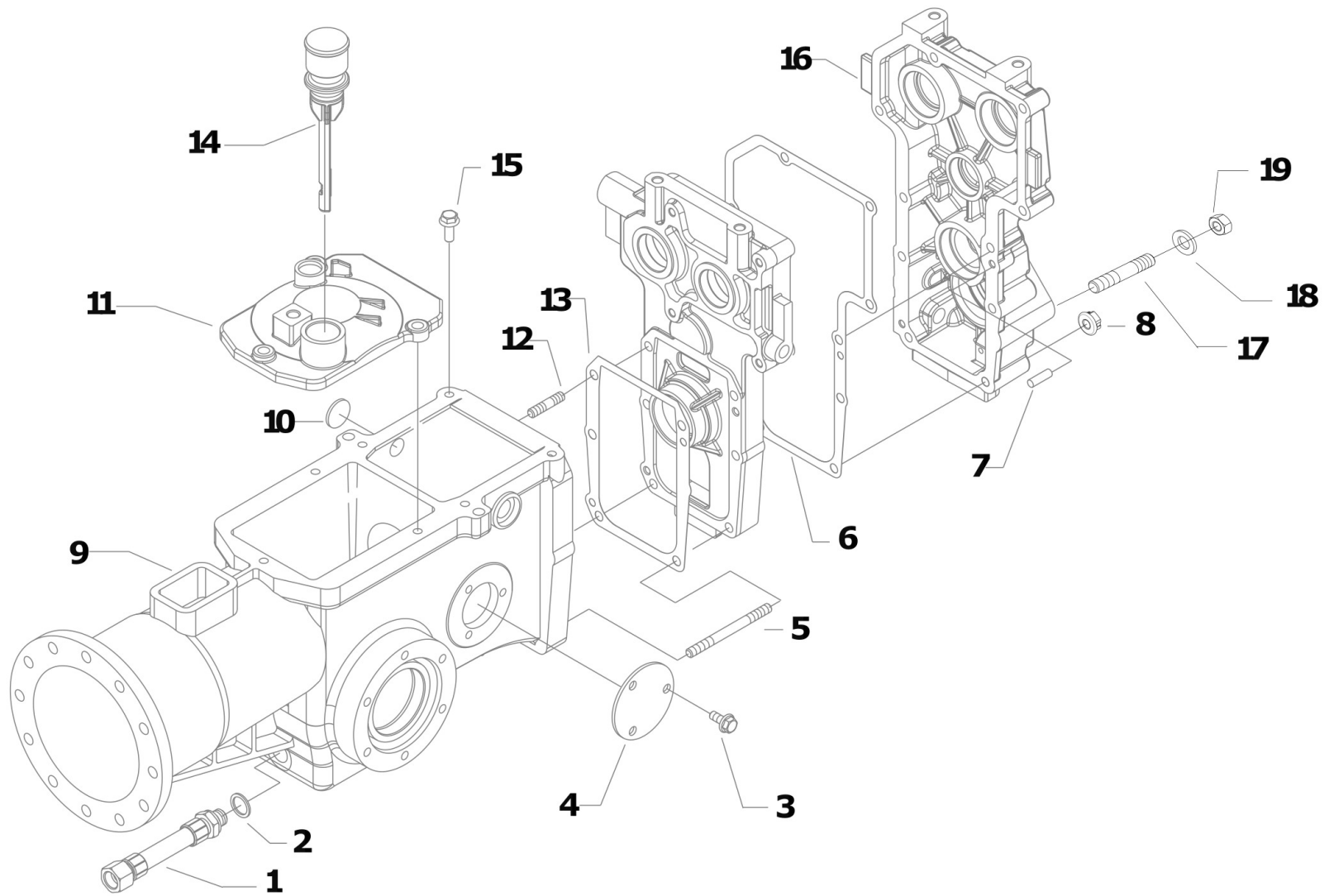


 [Click for info](#)

★ = new part

Pos.	Id	Q.ty	Description	Note
1	38213202		OIL SEAL 32X45X7	
2	38119823		O-RING 3450 (113,97x2,62)	
3	31241083		SELFLOCK NUT M8	
4	31312097		STUD BOLT M8X98X16X28 8G	
5	53156207		ENGINE FLANGE	
6	56156281		CENTRING BUSH D.25,4	
7	56356239		FEEDER Q25	
8	52456236		PUMP GEAR	
9	F0803075500		O-RING 2100 (25,12X1,78)	
10	38213500		OIL SEAL 35X47X7	
11	38119823		O-RING 3450 (113,97x2,62)	
12	31100015		SCREW TE 3/8X1	
13	31312073		STUD BOLT M8X73X14X20 8G	
14	53156205		ENGINE FLANGE Q25	



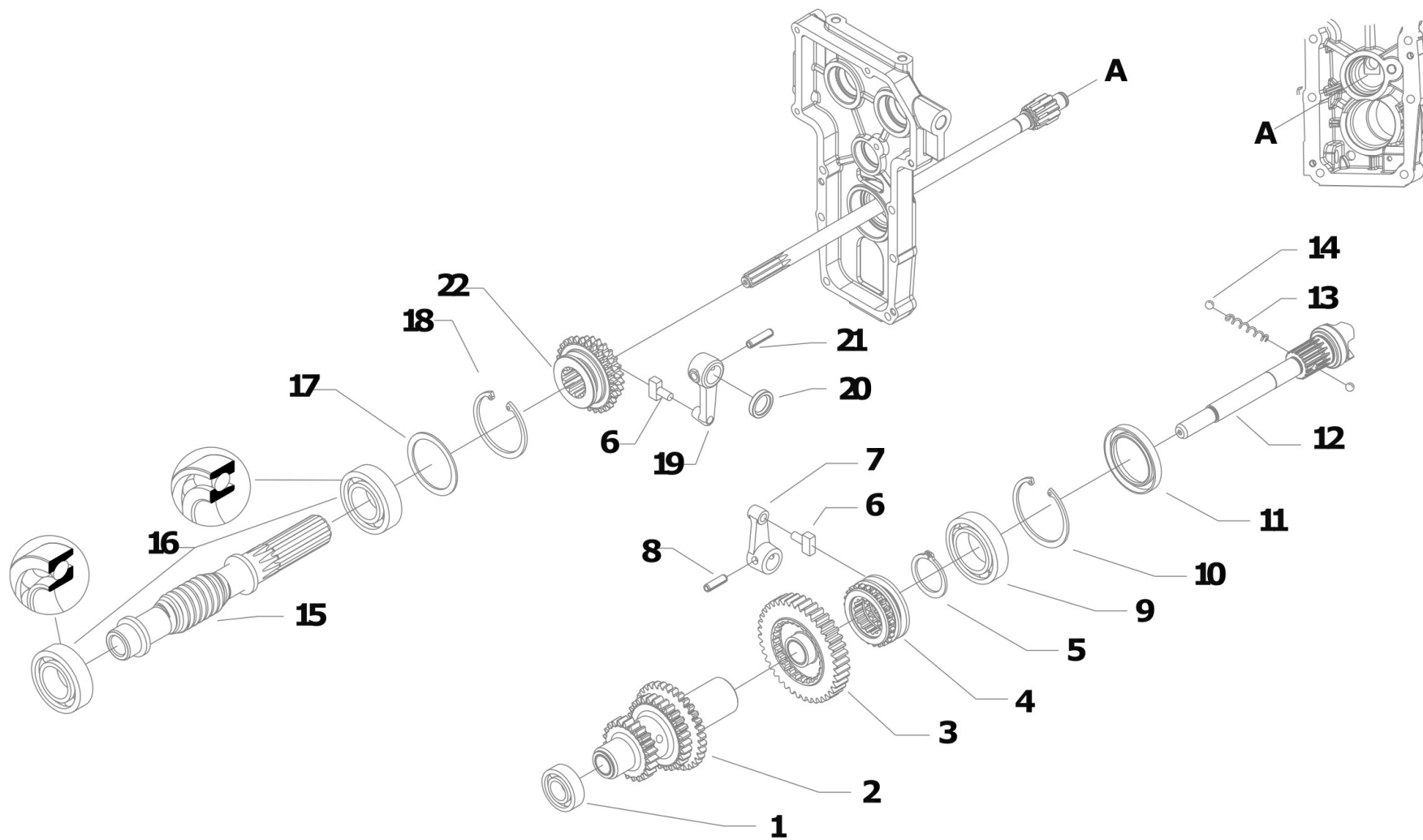


 [Click for info](#)

★ = new part

Pos.	Id	Q.ty	Description	Note
1	59056244		SUCTION PIPE	
2	31480184		COPPER WASHER 16,7x22/1,5	
3	31112079		VITE TE C/F M6X12 DIN 6921 RVS	
4	56147520Z		COVER	
5	31312097		STUD BOLT M8X98X16X28 8G	
6	580C0148		FLANGE GASKET	
7	58043053		CYLINDRICAL PLUG	
8	31241084		SELFLOCK NUT M8 6S	
9	53156202N		BOX CASING	
10	30040133Z		PLUG 22 DIN 470	
11	53143875N		GEARBOX HOUSING COVER	
12	31312090		STUD BOLT M8X88X16X28 8G	
13	58056671		GASKET	
14	59256762		OIL CAP M COMPLETE	
15	31112170		SCREW TE C/F M8X20 DIN 6921	
16	532C1660N		REAR COVER	
17	31312125		STUD BOLT 64XM12X1,25X26XM12X30 8G	
18	31421132		WASHER 13X24X2,8	
19	31221121		NUT M12X1,25	



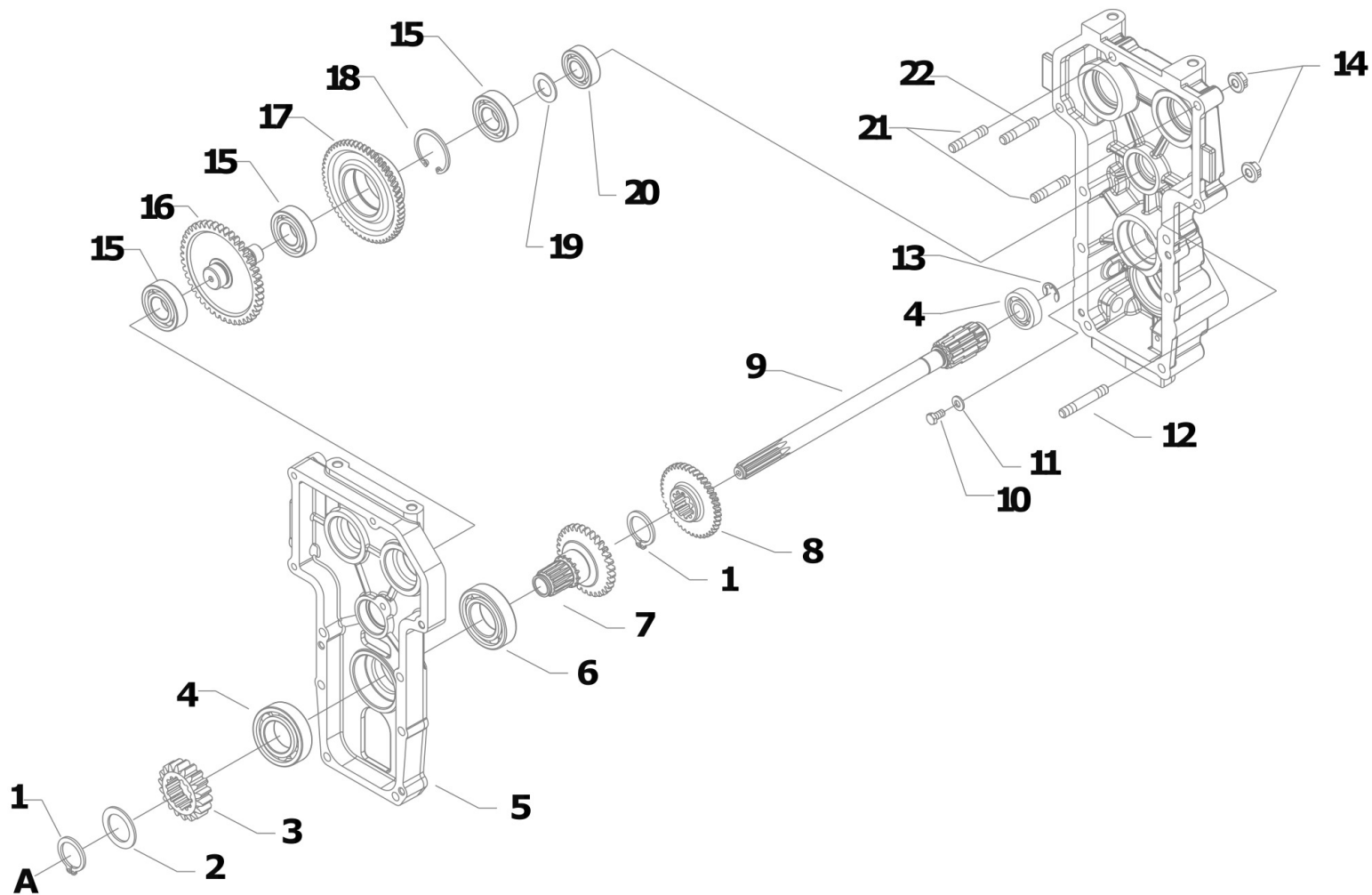


 [Click for info](#)

★ = new part

Pos.	Id	Q.ty	Description	Note
1	37111151		BEARING 6202 (15X35X11)	
2	590C1662		INGRANAGGIO TRIPLO MC HY C.TO	
3	590C0168		GEAR	
4	52456706		PTO COUPLING	
5	35121031		SEEGER RING E 30 UNI 7436	
6	58043086		SHOE	
7	52456390		LEVER	
8	34213061		ROLL PIN	
9	37112229		BEARING 6006 (30X55X13) SKF	
10	35111055		SEEGER RING I 55 DIN 472	
11	38214207		OIL SEAL 42X55X7	
12	52456621		ALBERO PTO HY TR	
13	58056391		SPRING	
14	37910832		BALL 1/4	
15	56456478		SCREW 2	
16	37141250		BEARING 7205-B OBL SKF	
17	56356328		ADJUSTING RING SP=1,5	
17	56356329		ADJUSTING RING SP=1,6	
17	56356330		ADJUSTING RING SP=1,7	
17	56356331		ADJUSTING RING SP=1,8	
18	35111053		SEEGER RING I 52 UNI 7438	
19	52456389		LEVER	
20	38211400		OIL SEAL 14X22X4	
21	34213060		ROLL PIN	
22	524C0227		SLIDING HYDRO	



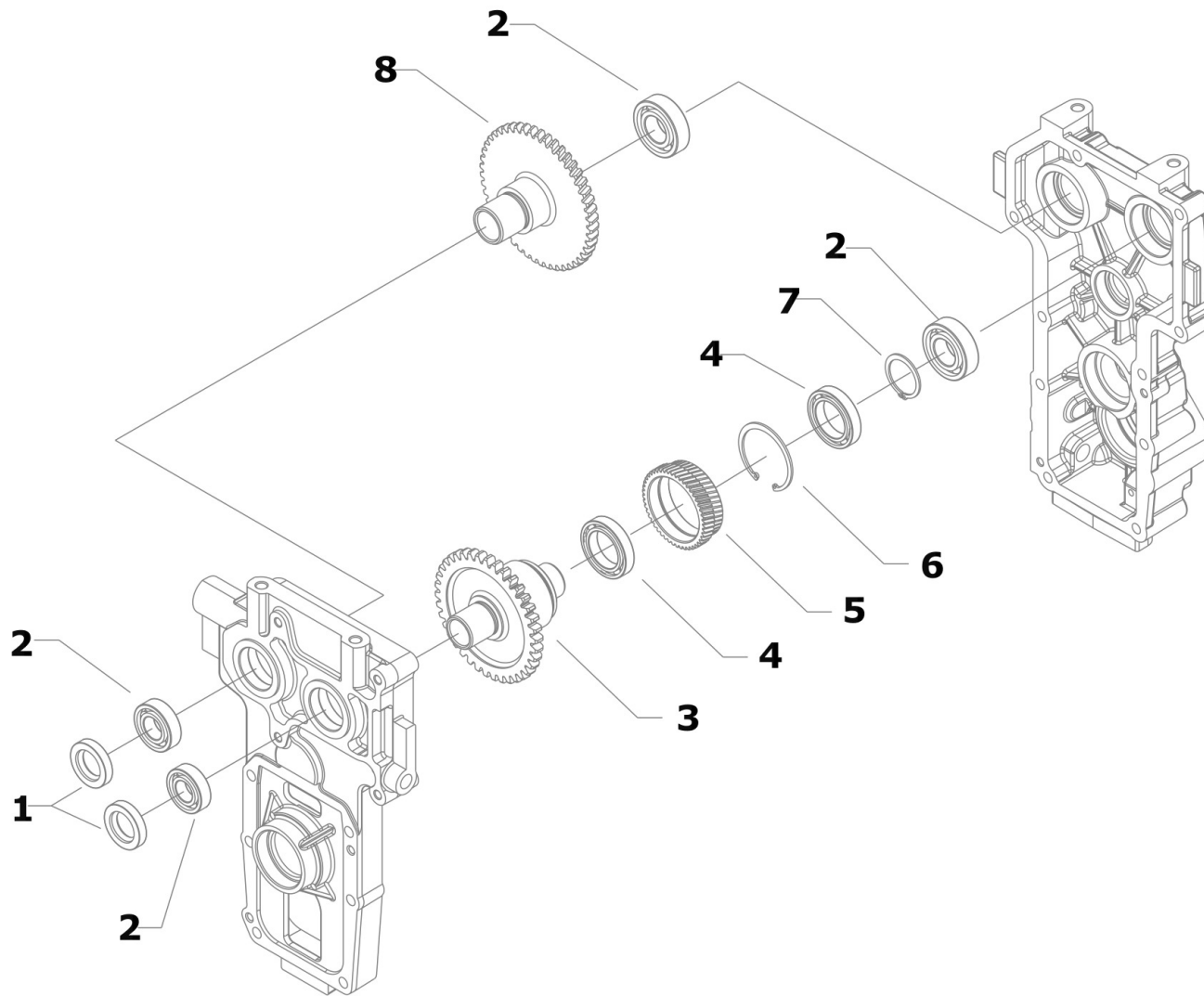


[Click for info](#)

★ = new part

Pos.	Id	Q.ty	Description	Note
1	35121022		SEEGER RING E 20 UNI 7436	
2	563C0200		WASHER 20.3X30X1.5	
3	524C0162		LAY GEAR	
4	37111253		BEARING 6005 (25X47X12)	
5	532C0439		FLANGE	
6	37112229		BEARING 6006 (30X55X13) SKF	
7	524C0575		GEAR SHAFT	
8	524C0160		OUTPUT GEAR	
9	524C1674		ALBERO PRIMARIO IDRO	
10	31112210		SCREW TE M10X20 UNI 5739	
11	31421101		WASHER 10 DIN 679	
12	31312086		STUD BOLT M8X56X20X14	
13	35211150		SEEGER RING E 15 UNI 7434	
14	31241084		SELFLOCK NUT M8 6S	
15	37111200		BEARING 6004 (20X42X12)	
16	524C0445		PUMP GEAR	
17	524C0158		IDLE ENGINE GEAR	
18	F0801310000		RING	
19	563C0218		WASHER	
20	37111151		BEARING 6202 (15X35X11)	
21	31312086		STUD BOLT M8X56X20X14	
22	31312079		STDU N M8X40X14X20 8G	



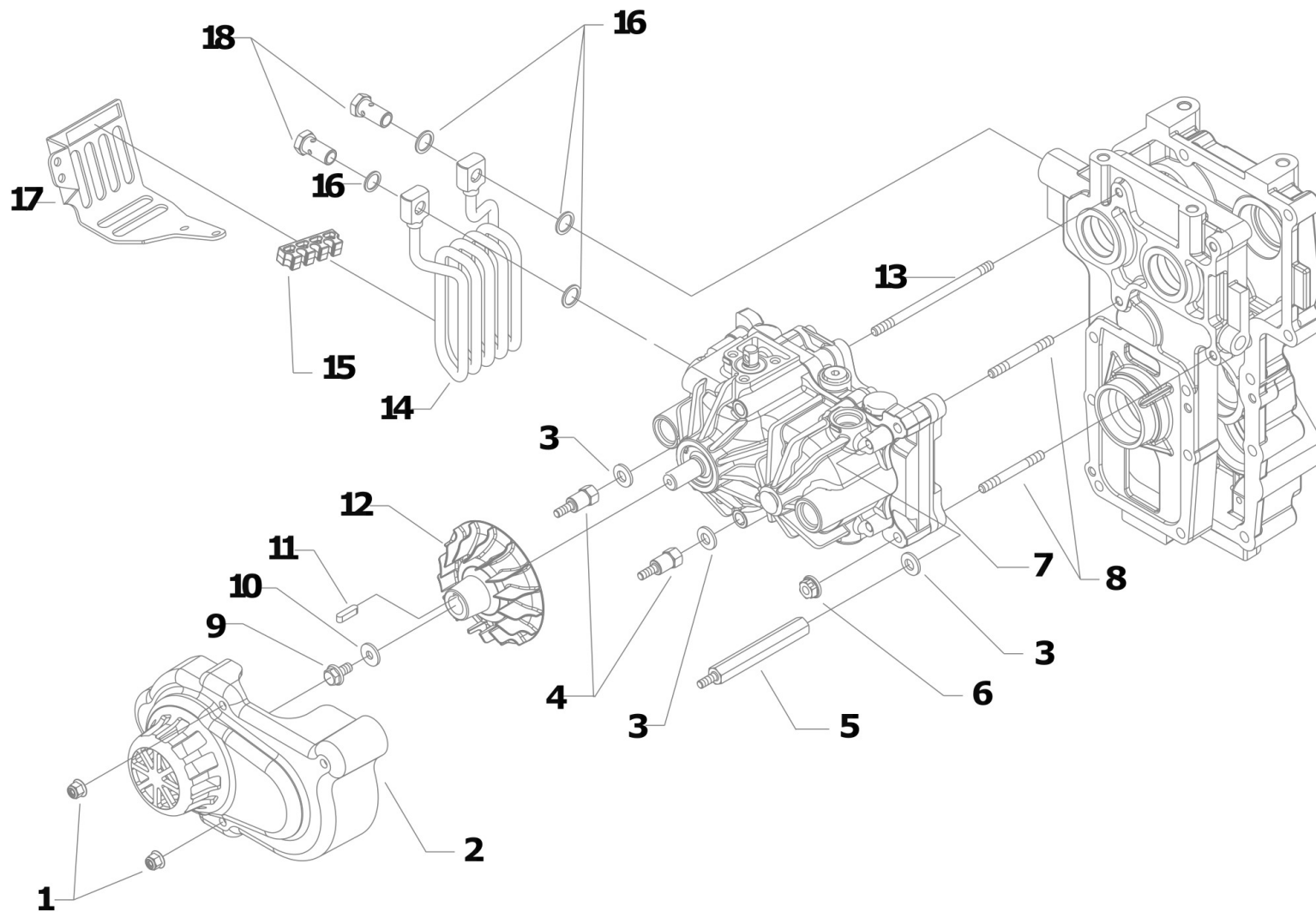


 [Click for info](#)

★ = new part

Pos.	Id	Q.ty	Description	Note
1	38212001		OIL SEAL 20X35X7	
2	37111200		BEARING 6004 (20X42X12)	
3	590C1661		INGRANAGGIO MOTORE MC HY C.TO	
4	37111362		BEARING 61908 (40x62x12)SKF	
5	524C0157		LAY GEAR	
6	35111062		SEEGER RING I 62 DIN 472	
7	F0801275000		SEEGER RING E 36 UNI 7435	
8	590C0293		PUMP GEAR	



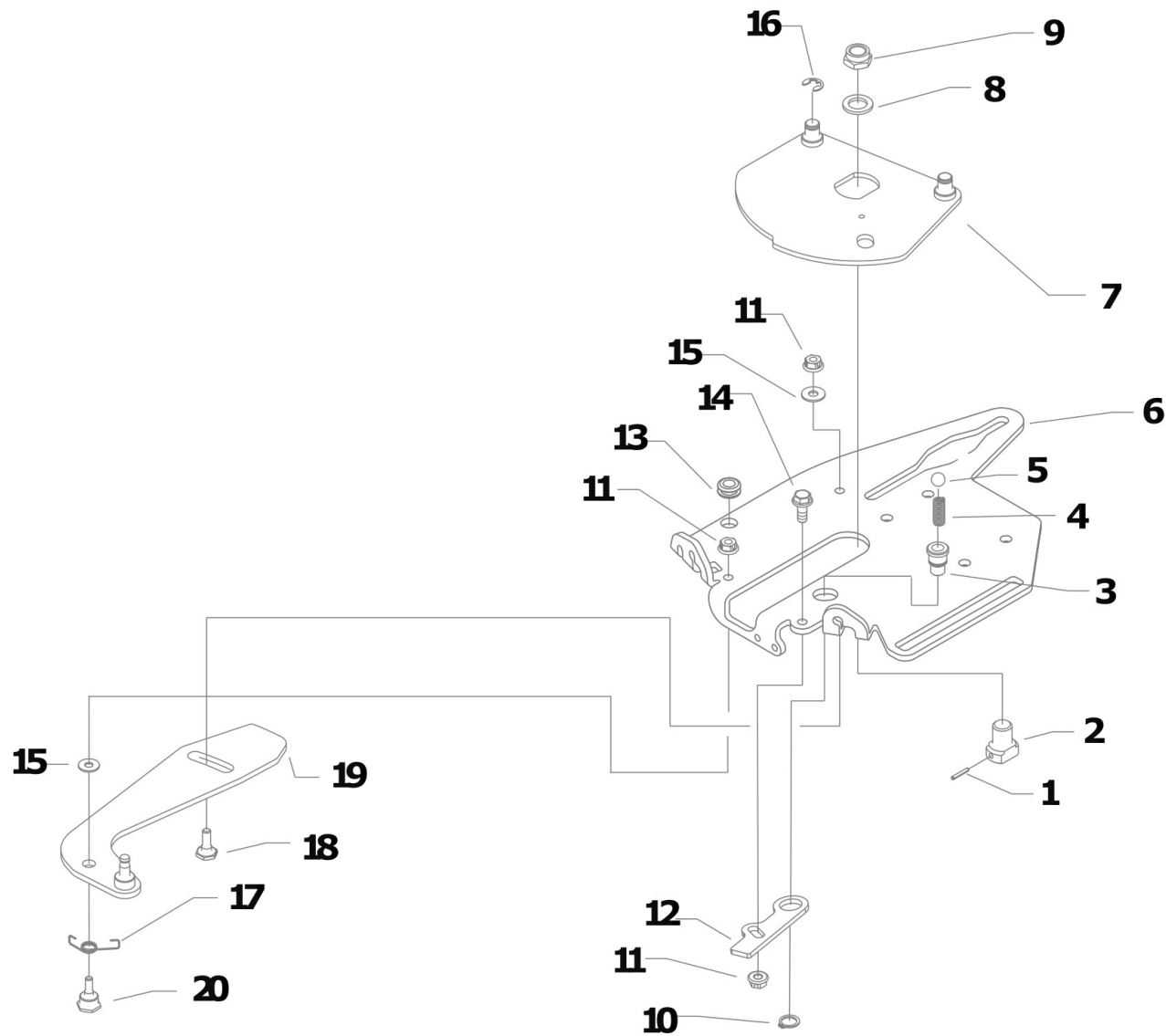


 [Click for info](#)

★ = new part

Pos.	Id	Q.ty	Description	Note
1	31241066		SELFLOCK M6 FL NY DIN 6926	
2	552C0154		SUMP	
3	31421083		WASHER	
4	563C0173Z		SMALL COLUMN	
5	563C0174		SMALL COLUMN	
6	31241084		SELFLOCK NUT M8 6S	
7	581C0290		GR. KANZAKI KHS-13JH	
8	580C0224Z		STUD BOLT	
9	31112083		SCREW M6X12	
10	31411066		WASHER 6,6x18	
11	34321050		KEY 5X5X20	
12	552C0153		PIPE	
13	580C0223Z		STUD BOLT	
14	590C0461Z		RADIATORE C.TO ZNT	
15	551C0456		DAMPER	
16	31480184		COPPER WASHER 16,7x22/1,5	
17	561C1670		SCUDO RADIATORE MC HY	
18	F0843109020		PIPE FITTING	



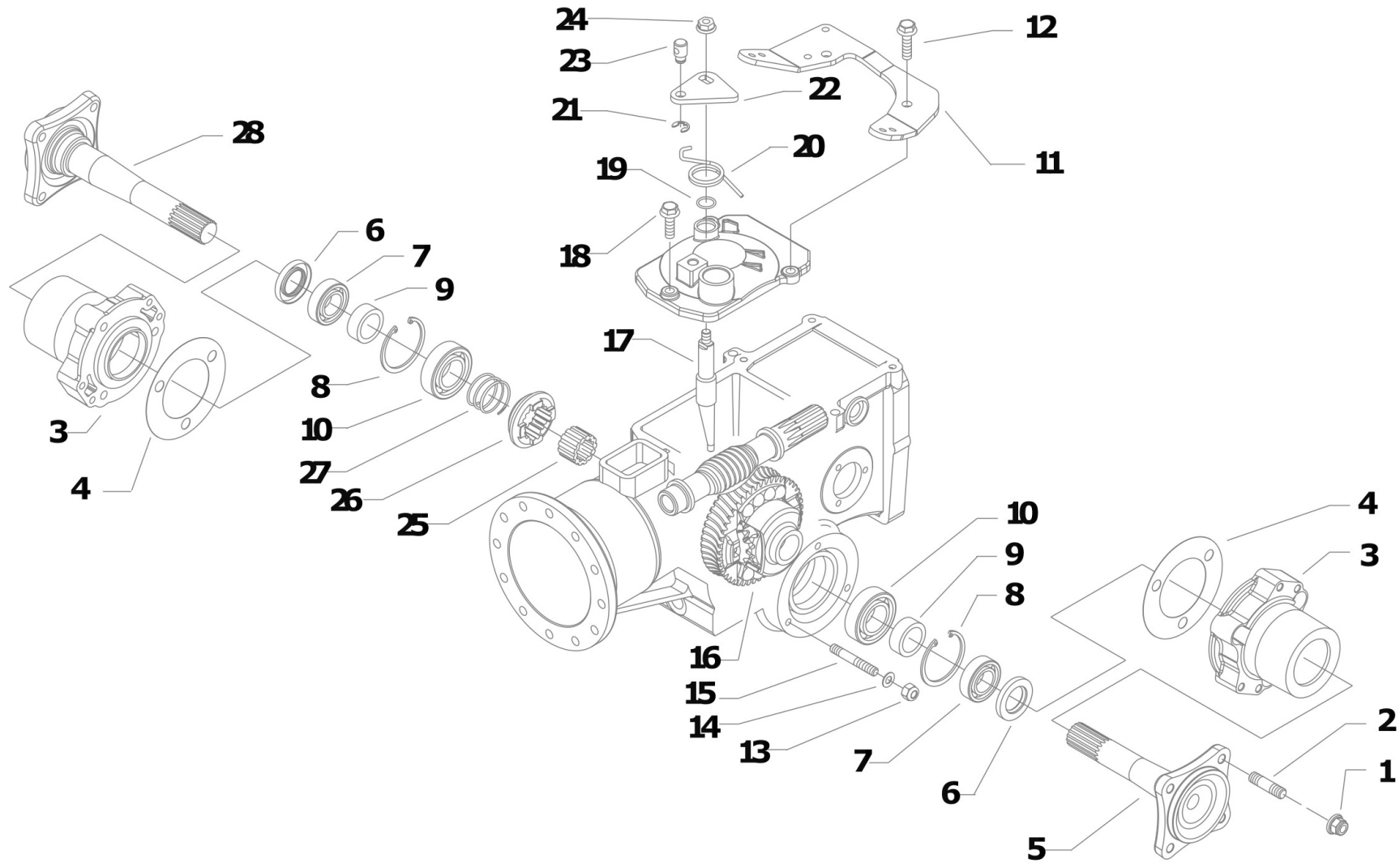


 [Click for info](#)

★ = new part

Pos.	Id	Q.ty	Description	Note
1	34213055		ROLL PIN	
2	563C0177Z		SLEEVE	
3	563C0208Z		SLEEVE	
4	58056683		SPRING	
5	37911532		BALL 15/32	
6	561C1669		PIASTRA AZIONAMENTI MC HY	
7	590C1685		FARFALLA MC HY C.TA grz	
8	31414190		WASHER 19	
9	31241182		SELFLOCK NUT M18X1,5	
10	35121018		SEEGER RING E 18 DIN 471	
11	31241084		SELFLOCK NUT M8 6S	
12	561C0135Z		LEVER	
13	581C1715		CABLE CLAMP 11-55-21-5	
14	31112170		SCREW TE C/F M8X20 DIN 6921	
15	31413084		WASHER 8,4	
16	35211050		SEEGER RING E 5 UNI 7434	
17	580C1679Z		MOLLA BLOCCO PTO MC HY ZNT	
18	563C0426		LOCKING BOLT	
19	590C1681		CONTRASTO PTO MC HY C.TO	
20	563C0134		LOCKING BOLT	



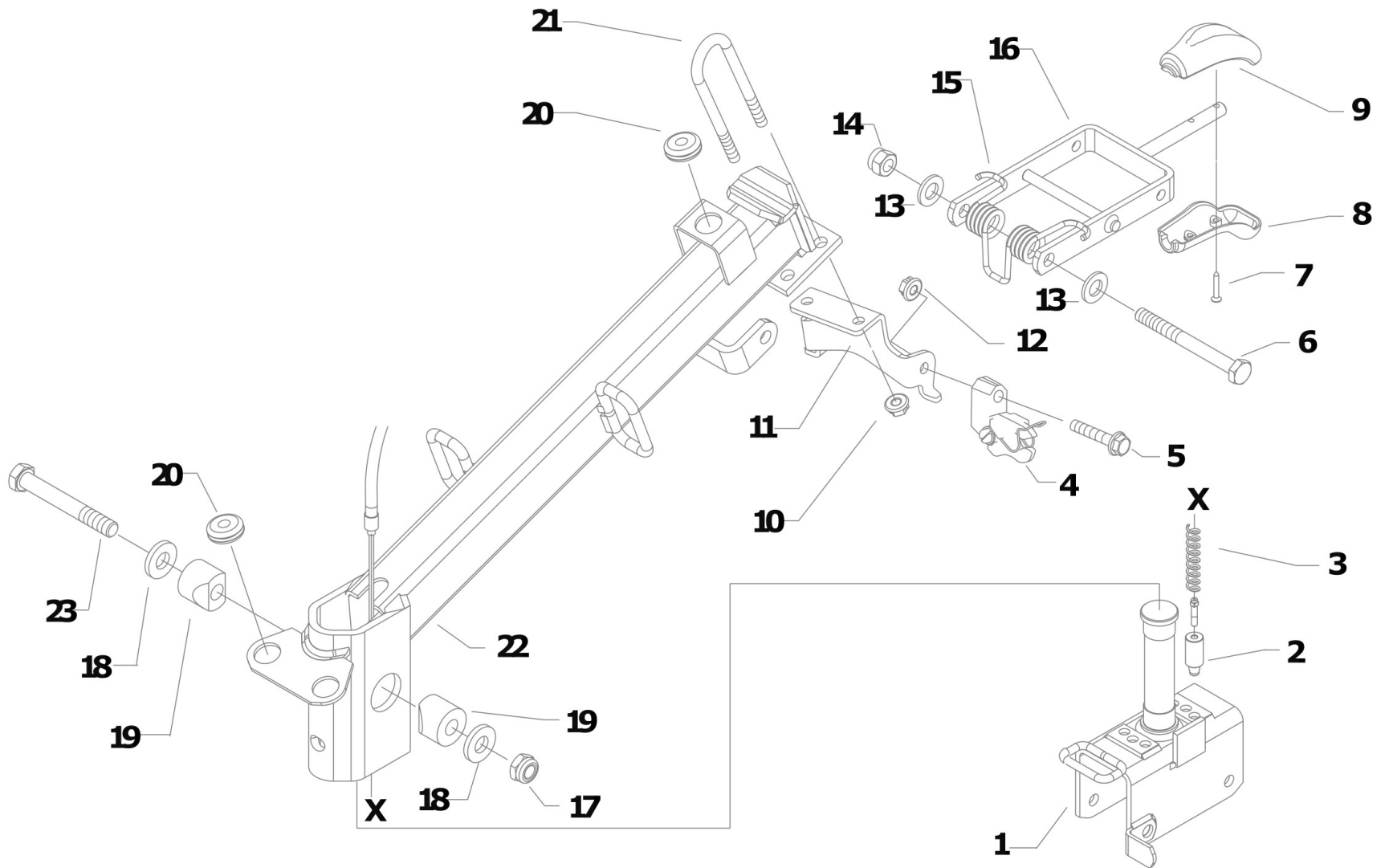


 [Click for info](#)

★ = new part

Pos.	Id	Q.ty	Description	Note
1	31241103		SELFLOCK NUT M10	
2	31312102		STUD BOLT M10X40X24X12	
3	53243851N		HUB	
4	58043855		GASKET	
5	52448187N		AXLE SHAFT	
6	38213002		OIL SEAL 30X40X7	
7	37111253		BEARING 6005 (25X47X12)	
8	35111047		SEEGER RING I 47 DIN 472	
9	56148184		RING	
10	37111250		BEARING	
11	56156827N		STOP	
12	31112167		SCREW TE C/F M8X30 DIN 6921 8G	
13	31241080		HEXAGON SELFLOCK NUT M8	
14	31423084		SPRING WASHER 8,4	
15	31312080		STUD BOLT M8X46X20X12	
16	59048181		DIFFERENTIAL GEAR	
17	56443871		ROD	
18	31112166		SCREW TE C/F M8X25 DIN 6921 8G	
19	38111400		O-RING (14,00X1,78)	
20	58043881N		SPRING	
21	35211060		SEEGER RING E 6 UNI 7434	
22	56156219Z		LEVER	
23	56156828Z		STOP	
24	31241084		SELFLOCK NUT M8 6S	
25	56448183		SPACER	
26	56448196		COUPLING	
27	58043874		SPRING	
28	52448188N		AXLE SHAFT	



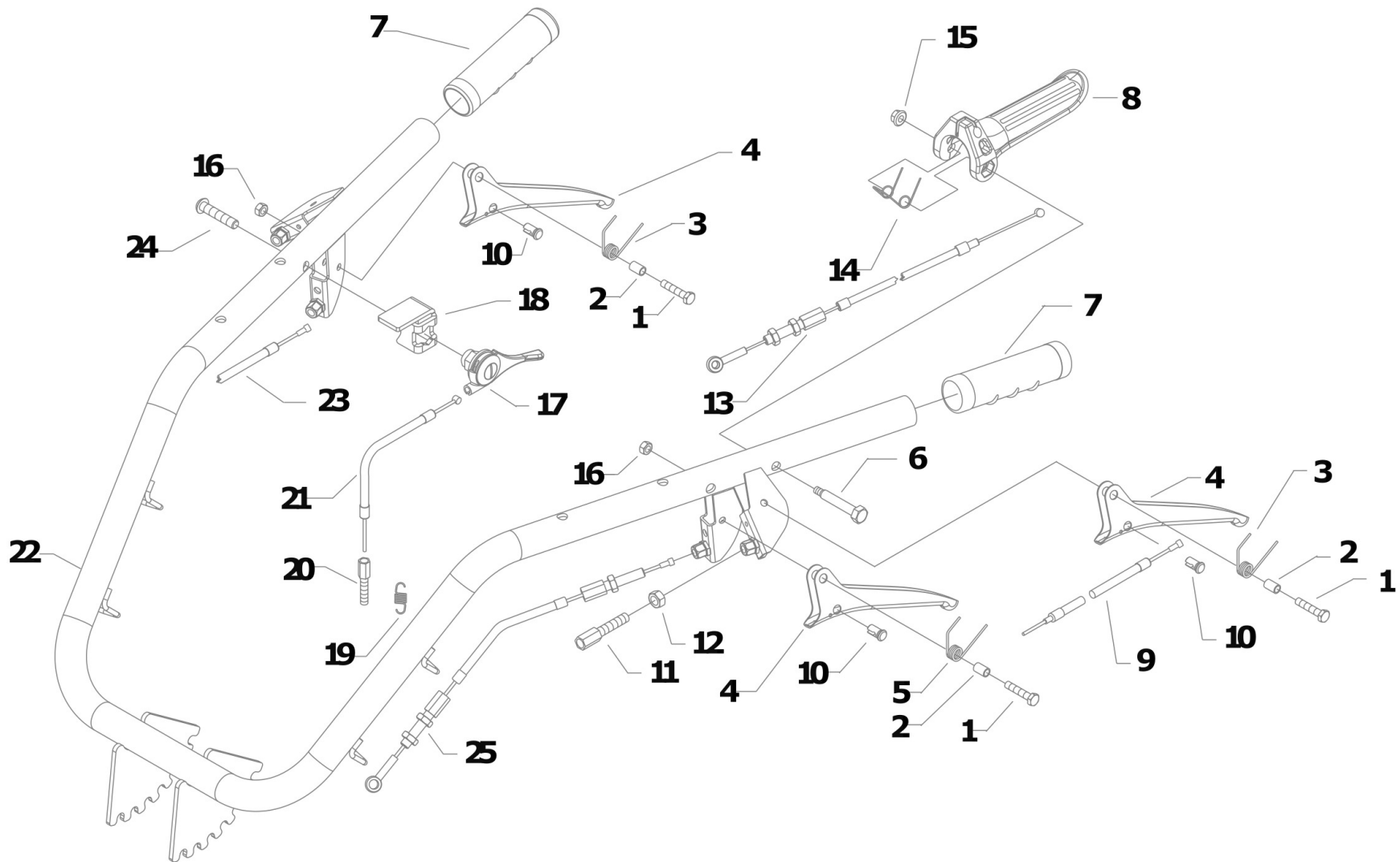


 [Click for info](#)

★ = new part

Pos.	Id	Q.ty	Description	Note
1	59057011N		CONNECTION	
2	56356924		FERRULE	
3	58056918		SPRING	
4	59243337		ROD SUPPORT WITH SPRING	
5	31112165		SCREW TE C/F M8X35 DIN 6921 8G	
6	31111229		SCREW TE M10X110 UNI 5737 8G	
7	31100451		SCREW 3,5X25	
8	55157213		GRIP	
9	55157212		GRIP	
10	31241080		HEXAGON SELFLOCK NUT M8	
11	561C1653		SUPPORTO FISSO ASTE MC HY grz	
12	31241084		SELFLOCK NUT M8 6S	
13	31411130		WASHER 13x24	
14	31241100		SELFLOCK HEXAGON NUT M10	
15	58056942N		SPRING	
16	59057010N		LEVER	
17	31241126		SELFLOCK NUT M12	
18	31421100Z		CUP SPRING 25X12,2X1,5 D2093	
19	52156917		WEDGE	
20	58056991		CABLE GLAND 90/200/30	
21	56156940		U BOLT	
22	590C0125N		COLUMN	
23	31112293		SCREW TE M12X80 UNI 5737	



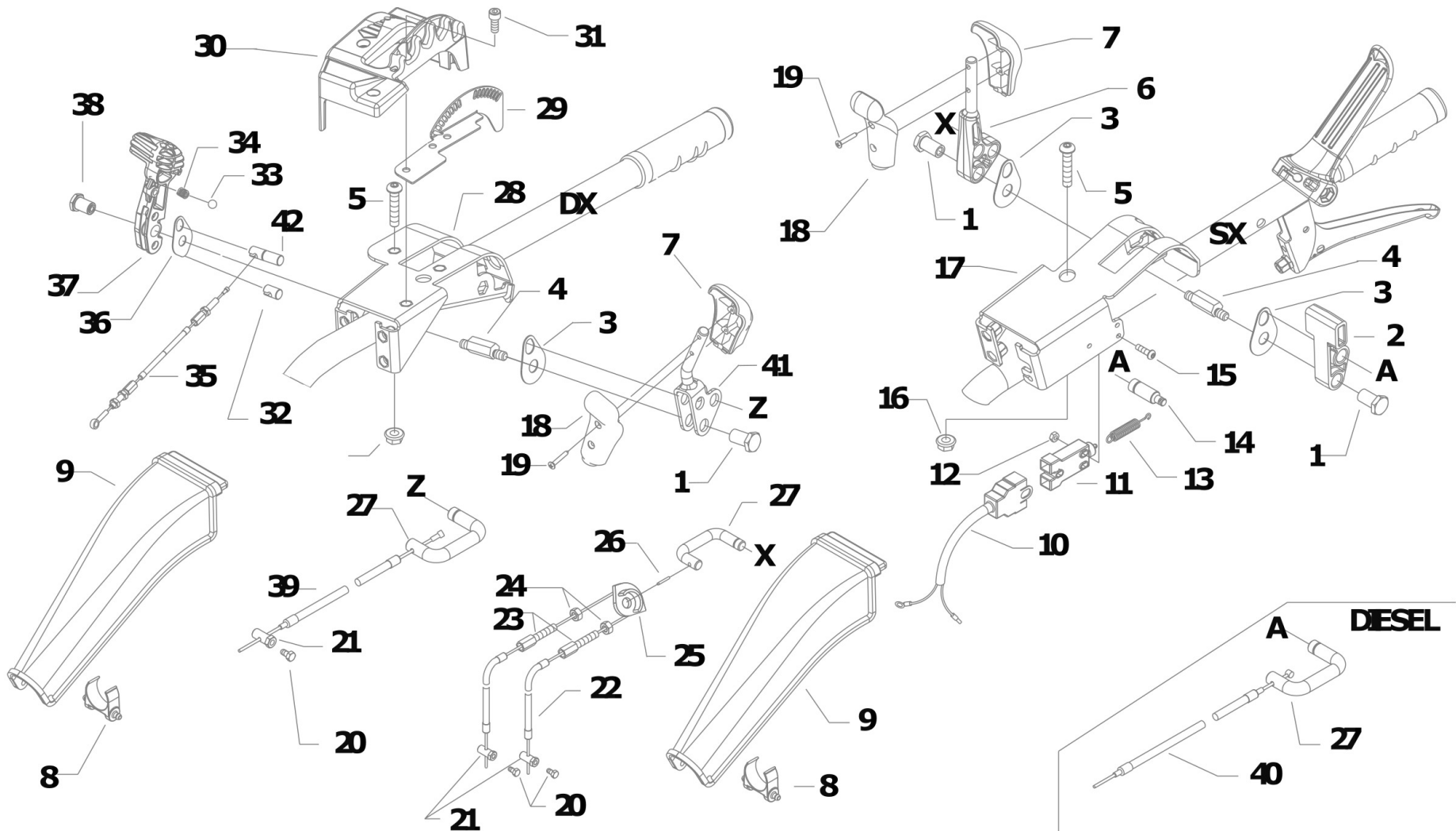


 [Click for info](#)

★ = new part

Pos.	Id	Q.ty	Description	Note
1	31112089		SCREW TE M6X25 UNI 5739 8G	
2	56156603Z		SPACER	
3	58056593		SPRING	
4	56148470N		LEVER	
5	58050345		SPRING	
6	56356184Z		LEVER PIN	
7	58048000		KNOB D=27	
8	55256185		LEVER	
9	58056842		LINE AND SHEATH L=1530	
10	58150313		CABLE CLAMP	
11	58056595		ADJUSTING SCREW M8	
12	31211080		NUT M8	
13	580C1711		FILO STOP MC HY C.TO L=1500	
14	58056186Z		SPRING	
15	31241065		SELFLOCK NUT M6	
16	31241060		HEXAGON SELFLOCK NUT M6	
17	58002538		ACCELERATOR	
18	56156874N		PANEL	
19	58056155		RESTORING SPRING	GX 390
20	58147704		ADJUSTING SCREW	
21	58056811		LINE AND SHEATH L=1850	L100
21	58056816		LINE AND SHEATH L=2135	GX 390
22	59256178		HANDLE BAR	
23	58057422		COLUMN UNLOCKING TRANSMISSION	
24	31121020		SCREW TBCEI M8X40 ISO7380 10K Z	
25	580C1710		FILO FRIZIONE HY CTO L=1460	





 [Click for info](#)

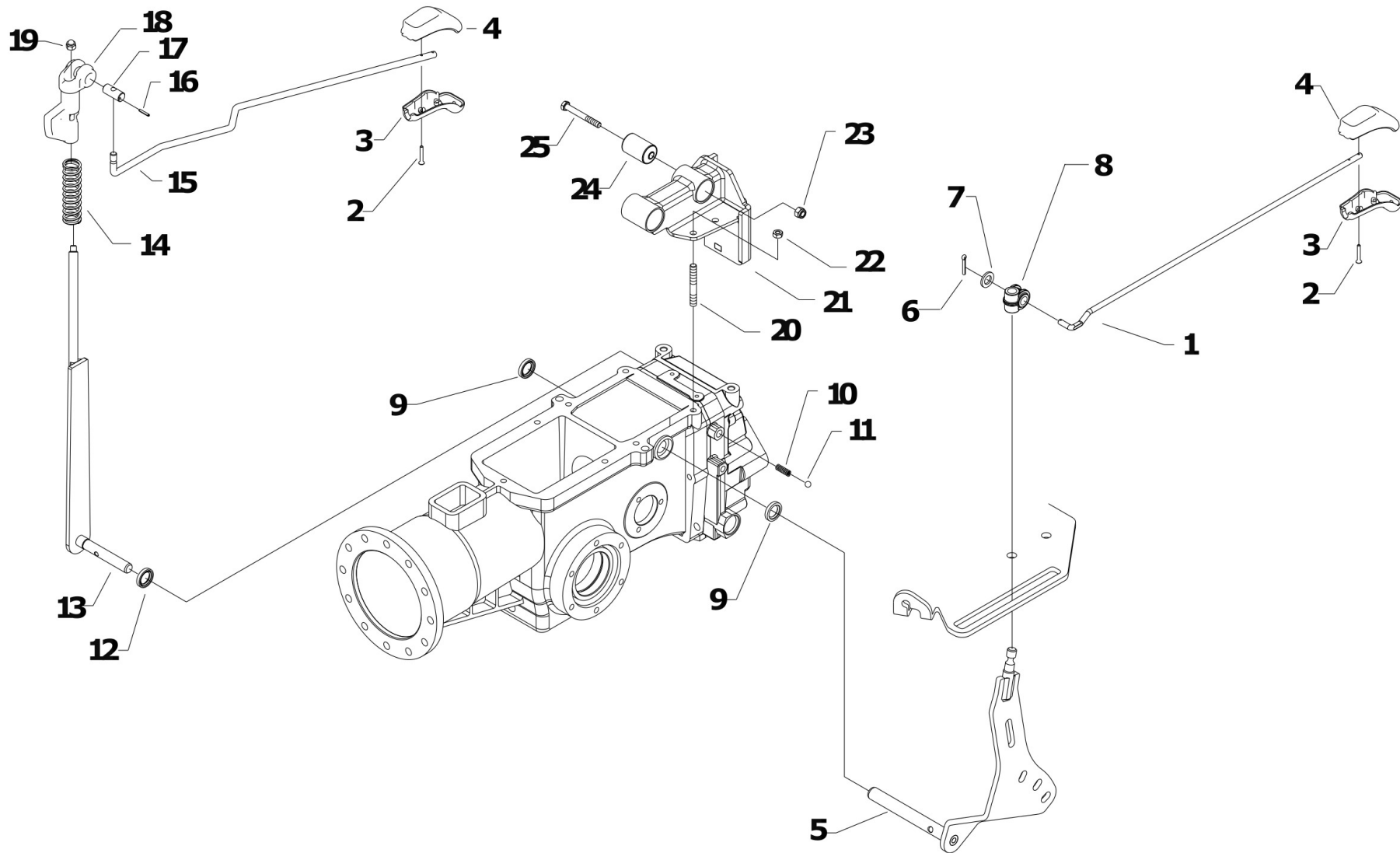
★ = new part

Pos.	Id	Q.ty	Description	Note
1	56148287		STUD BOLT	
2	55256197		MOTOR STOP LEVER	
3	56356833		SMALL PLATE	
4	56356858		PIN	
5	31121020		SCREW TBCEI M8X40 ISO7380 10K Z	
6	53156860		COMMAND LEVER	
7	55157212		GRIP	
8	55256836		SUPPORT, ELECTRICAL BOX	
9	55256835		PROTECTION COVER	
10	58056837		WIRING	
11	58048009		ENGINE STOP SWITCH	
12	31241042		SELFLOCK NUT M4 FL.6S	
13	58047712		SPRING	
14	56156834Z		INDEXING BOLT	
15	31121024		SCREW TBCEI FL.M4X25	
16	31241084		SELFLOCK NUT M8 6S	
17	59256180		SUPPORT	
18	55157213		GRIP	
19	31100451		SCREW 3,5X25	
20	31112090		SCREW TE M6X16 UNI 5739 8G	
21	56356840Z		CLAMPING SCREW	
22	580C1712		FILO E G.FRENO MC HY L=1300 mr	
23	58056595		ADJUSTING SCREW M8	
24	31211080		NUT M8	
25	55256757		PULLEY	
26	34213020		ROLL PIN	
27	56156832Z		U BOLT	
28	592C0477		SUPPORT	
29	521C1453Z		SETTORE PER SFERA ZNT	



Pos.	Id	Q.ty	Description	Note
30	552C0480		MANIPOLATORE EASYGRIP	
31	31152081		SCREW TCEI M8X20 UNI 5931	
32	561C0216Z		CABLE CLAMP D.12	
33	37911032		BALL 5/16	
34	58042059		SPRING	
35	580C1714		FILO E GUAINA COM. IDRO MC HY	
36	563C0215Z		SMALL PLATE	
37	552C0484		COMMAND LEVER	
38	561C0476Z		STUD BOLT	
39	580C1713		FILO E G.DIFFER. MC HY L=1300	
40	58048005		LINE AND SHEATH (L=1170)	L100
41	590C1651		LEVA COMANDO MC HY C.TA	
42	561C1687		BARILOTTO D.12 HY	





[Click for info](#)



= new part

Pos.	Id	Q.ty	Description	Note
1	561C1678Z		ASTA CAMBIO MC HY ZNT	
2	31100451		SCREW 3,5X25	
3	55157213		GRIP	
4	55157212		GRIP	
5	590C1683		LEVA CAMBIO MC HY C.TA	
6	34110028		SPLIT PIN A3X15 UNI 1336	
7	31411104		WASHER 10,5x18	
8	55242528		JOINT	
9	38211400		OIL SEAL 14X22X4	
10	58043176		SPRING	
11	37911532		BALL 15/32	
12	38211496		OIL SEAL AS15X26X7 DIN3760 NBR	
13	590C1658Z		LEVA PTO MC HY C.TA ZNT	
14	580C1673Z		PTO JOINT SPRING	
15	561C1677Z		ASTA COMANDO PTO MC HY ZNT	
16	34211042		ROLL PIN	
17	561C1676Z		PTO ROD HINGE	
18	552C1667		SNODO CAMBIO MC HY	
19	31200125		SELFLOCK NUT M8	
20	31312103		STUD BOLT M10X46X24X16	
21	590C1655		SUPPORTO PIANT. MC HY C/SBLOC	
22	31211100		NUT M10	
23	31241120		SELFLOCK NUT M12	
24	30010120		SILENT-BLOCK 12X40X58X66	
25	31112701		SCREW TE M12X100 UNI 5737	



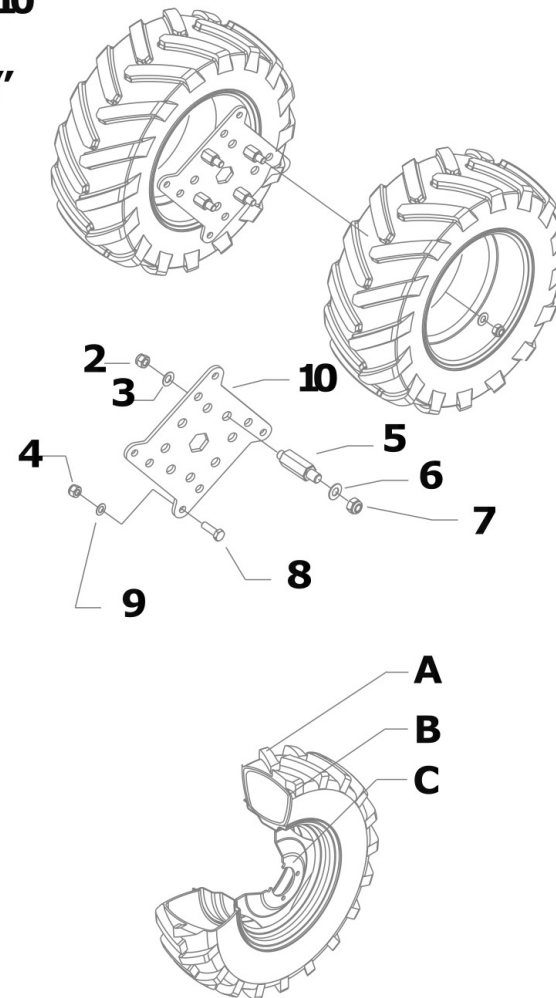
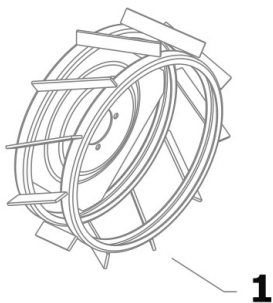
Pos.	Id	Q.ty	Description	Note
1	513C1665		BRAKE DRUM	
2	58048215		SPRING	
3	58048214		BRAKE BLOCK	
4	59048208N		HALF DISC	
5	31112090		SCREW TE M6X16 UNI 5739 8G	
6	31152085		SCREW TCEI M8X25 UNI 5931	
7	59048200N		HALF DISC	
8	31241084		SELFLOCK NUT M8 6S	
9	56156831Z		FORK	
10	31112166		SCREW TE C/F M8X25 DIN 6921 8G	
11	56356840		CLAMPING SCREW	
12	58056918		SPRING	



	A	B	C
50-10"	39115010	39415010	58048330
65x80-12"	39116018	39416018	58044804

KIT GEMELLAGGIO PER 5.0-10"
TWINNING KIT FOR 5.0-10"
JUMELAGE KIT POUR 5.0-10"
KIT GEMELOS POR 5.0-10"
ZWILLINGS KIT 5.0-10"
(92257794)

50-10"
(92242747)



 [Click for info](#)

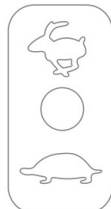
★ = new part

Pos.	Id	Q.ty	Description	Note
1	58042072N		RUOTA A GABBIA	
1	58042073N		RUOTA A GABBIA	
2	31241120		SELFLOCK NUT M12	
3	31423130		SPRING WASHER EL 13 DIN 137-B	
4	31241080		HEXAGON SELFLOCK NUT M8	
5	56359554		PIN	
6	56359554		PIN	
7	31241100		SELFLOCK HEXAGON NUT M10	
8	31112151		SCREW TE M8X25 UNI 5739 8G	
9	31423084		SPRING WASHER 8,4	
10	59059551		FLANGE	

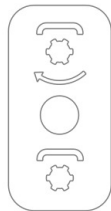




1



2



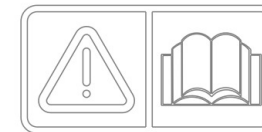
3



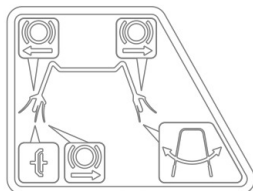
4



5



6



7



8



9

Made in Italy

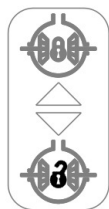
10



11



12



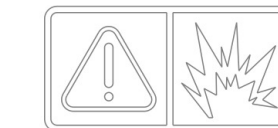
13

PowerSafe®

14



15



16

370HY

17



[Click for info](#)

= new part

Pos.	Id	Q.ty	Description	Note
1	58056866		DECAL	
2	58057450		DECAL	
3	58057451		DECAL	
4	58056869		DECAL	
5	580C1709		ADESIVA SICUREZZA PTO	
6	58057724		DECAL	
7	580C0142		DECAL	
8	58057746		DECAL	
9	58057747		DECAL	
10	530C0056		DECAL MADE IN ITALY	
11	58057768		DECAL	
12	58093089		DECAL	
13	58057625		DECAL	
14	53057666		POWERSAFE BRAND	
15	53052176		BIG FERRARI BRAND	
16	58057767		DECAL	
17	58052168		ADESIVA 370 HY	

